

INSPEKTIONS SYSTEM AB



**QPP-100**

**Quad System  
&**

**Picture in Picture Unit**



## INSPEKTIONSSYSTEM AB

**QPP-100** is a compact and versatile quad unit designed for monitoring and surveillance applications, and it allows up to four cameras to be viewed on one screen, in any combination.

QPP comes preconfigured as QUAD or Picture in Picture, depending on the selected configuration. It can be used with any number of video inputs from one to four cameras.

QPP features an advanced digital video processor with provides full control of each picture's size and position together with picture cropping and overlay.

This means that unlike other quad units, three cameras can be used to fill one view screen, without leaving parts black and unused! It is also very compact and lightweight.

Each system comes with 16 pre-set display modes as standard. All of these can be changed according to customer wishes and up to 8 display modes can be reconfigured to unique customer demand if needed. QPP provides excellent picture quality with real-time update on each channel. Camera identity and/or date and time can be shown onscreen, if needed. Each unit will be configured accordingly to meet each customer's demands. QPP will automatically configuring itself for PAL or NTSC operation. All modes are selectable with three push buttons (different function depending on configuration).



### Features:

- ✓ **Versatile unit with superior quality**
- ✓ **Specifically designed for surveillance monitoring applications**
- ✓ **Allows up to four cameras to be viewed on one screen**
- ✓ **Small compact size**
- ✓ **DC powered with low current consumption**
- ✓ **Up to 16 preset display modes**
- ✓ **Excellent picture quality with real-time update rate per channel**
- ✓ **Onscreen date and time and camera identity**
- ✓ **Automatic configuration for PAL or NTSC video inputs**
- ✓ **Can be customized to meet specific customer needs upon request.**
- ✓ **Split video configuration is standard on both Quad and PiP-units.**



# INSPEKTIONSSYSTEM AB

## Specification:

### General

Operation temperature range	-40° to +70°C
Mechanical size	Approx. 170x130x35mm
Finish	Black anodized aluminum
Weight	Approx. 540 grams
Operation voltage range	9 to 24VDC
Power consumption	< 3 Watts
Current consumption at 12VDC	Approx. 240mA

### Video

Video standards supported	PAL or NTSC (auto)
Video input / output levels	1Vpp into 75R
Video bandwidth	4MHz @-1dB, 5,35 MHz @-3dB
Signal to noise ratio	> 60 dB weighted
Insertion loss	< ± 3%
Differential gain	< ± 3%
Differential phase	< ± 3degrees
Luminance linearity	< ± 1.4 %
Chrominance linearity	< ± 1.4 %
Chrominance/ luminance delay	< 40 ns
Tilt	< ± 1%
AGC pulling range	> ± 15 %
Digital sampling (PAL)	576 Lines by 720 pixels
Lock-in time	<1 second
Input camera genlock	Not required
Number of input channels	2-4 depending on model
Pre-set display modes	14-15 depending on model Max. 16 in total
Update rate per image	8 custom on request Real-time

Design and specifications are subject to change without notice.

R02



# INSPEKTIONSSYSTEM AB

## Possible configurations: cropped and compressed

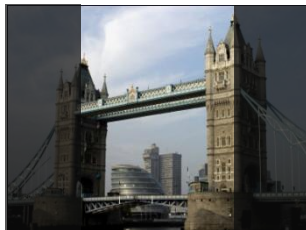


Original video image Input no. 1

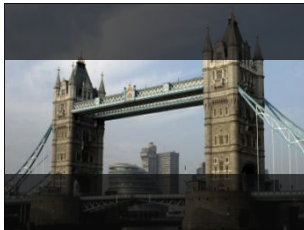


Original video image Input no. 2

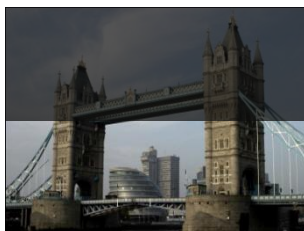
## When used as split image:



Cropping each image 25% vertical on each side before merging them together



Cropping each image 25% horizontal on each side before merging them together



Images can also be cropped 50% on one side both vertically and horizontally, on top, bottom, left or right side.  
***This can be done upon request from customer.***



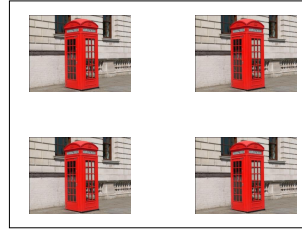
Each image can also be compressed instead of cropped.

Images: FreeDigitalPhotos.net & Tom Curtis / FreeDigitalPhotos.net



# INSPEKTIONSSYSTEM AB

## When used as PiP or Quad:



Each input can be selected as main picture, and the smaller image can be positioned in any corner.



In quad mode each input will be resized to 25% of the original image, or use one larger and three smaller.



*Each input can be mirrored on customer request.*

*Date and time can also be inserted upon request*

*Images: FreeDigitalPhotos.net & Tom Curtis / FreeDigitalPhotos.net*



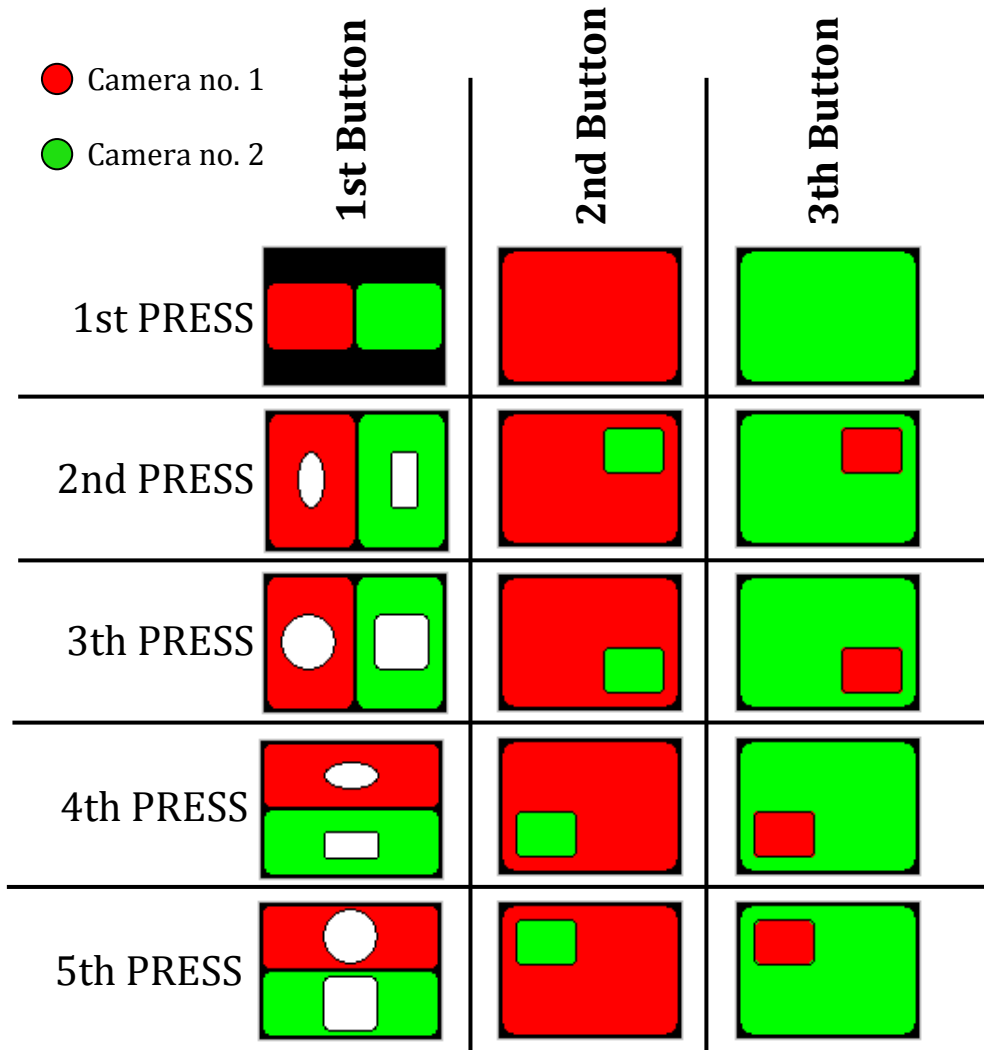
**Pre-set configuration as Quad:**

	1st Button	2nd Button	3rd Button
1st PRESS			
2nd PRESS			
3rd PRESS			
4th PRESS			
5th PRESS			
6th PRESS			

**Other configurations available on customer request**



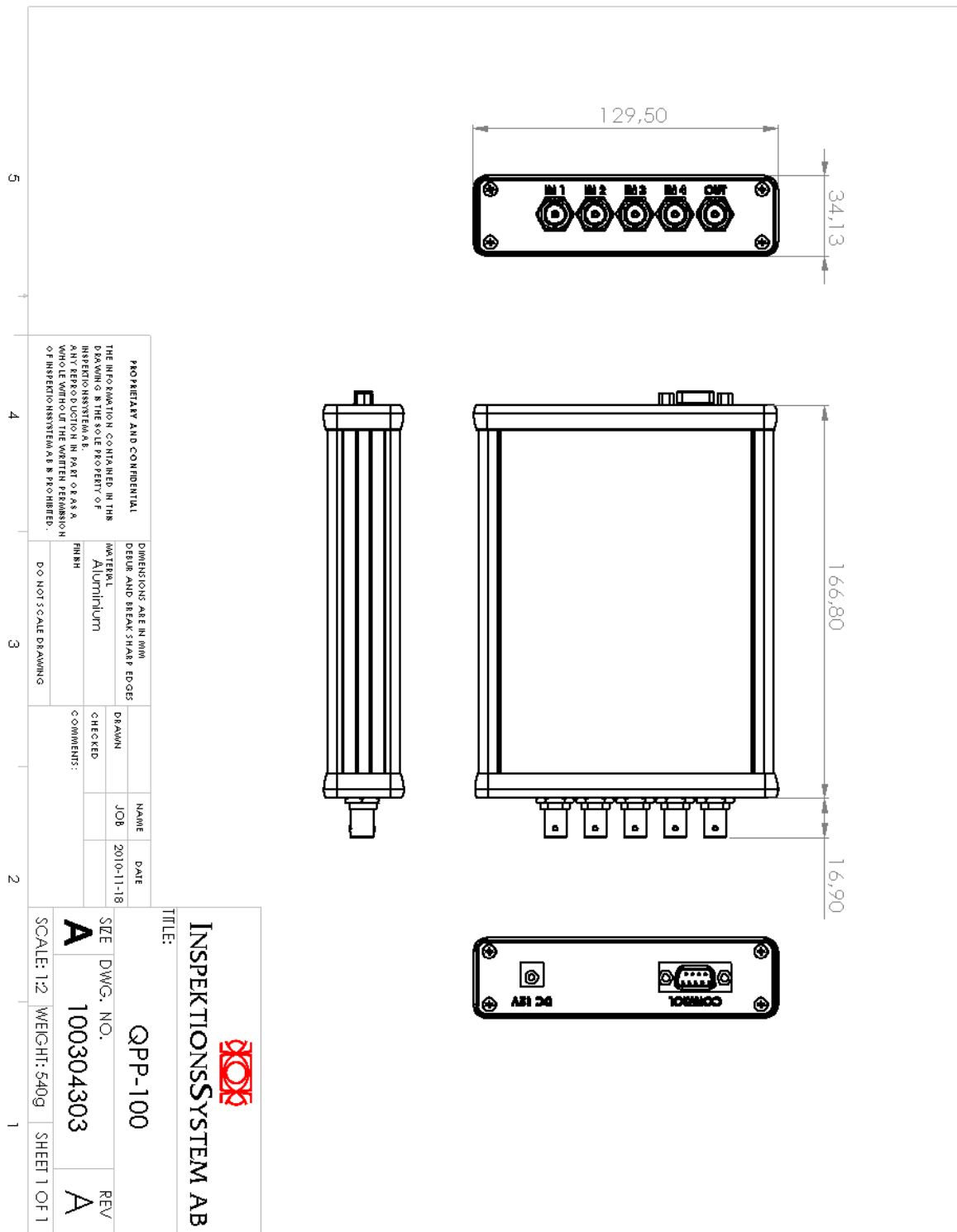
**Pre-set configuration as Picture in Picture (PiP):**



**Other configurations available on customer request**



# INSPEKTIONSSYSTEM AB



Design and specifications are subject to change without notice.